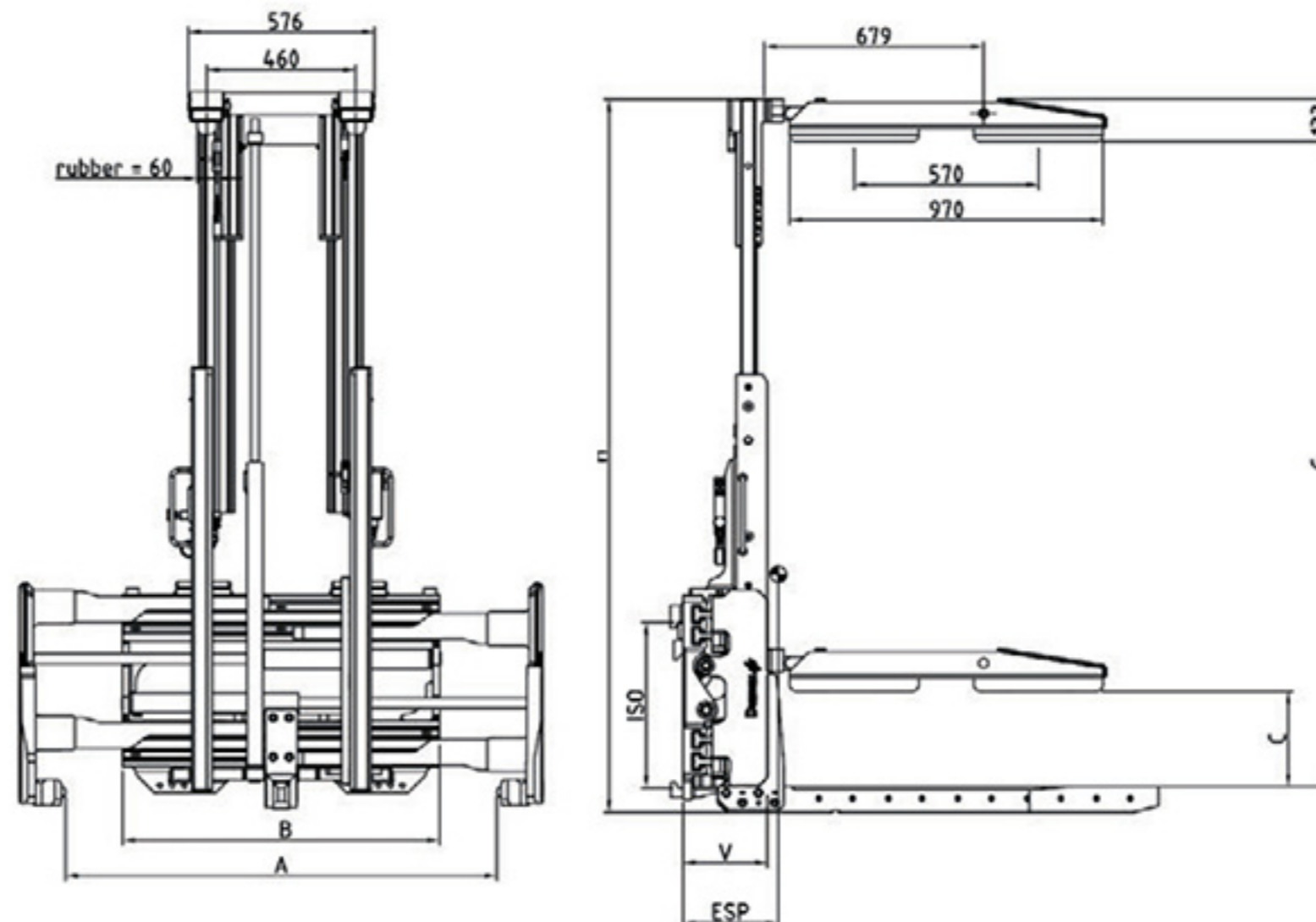


# KEG - clamp

with load stabiliser

**KEG**  
**KEG-S**

The **KEG - clamp** allows for lift and transport of casks (KEG's) without pallets. With the integrated load stabilizer, additional stability during transport is provided.



type	lift truck capacity to	capacity kg/mm LC	ISO	B mm	A ITI mm	b x h x l mm	load stabilizer c mm	sideshift mm	ESP COG mm	V LLC mm	weight kg
KEG 30	3,0/500	1680/635	II/III	980	520-1370	50x70x1220 50x70x1220	285-1985 285-2185	none	294	260	795
KEG 30-S	3,0/500	1680/635	II/III	980	520-1370	50x70x1220 50x70x1220	285-1985 285-2185	+/- 100	305	277	815

- 2 hydraulic functions required (3 hydraulic functions with sideshift)

- solenoid valve upon request (12 V, 24 V, 48 V, 80 V - please specify)

- includes hoses and couplings
- ISO 2328 A



**DURWEN**   
Forklift Attachments

More than 70 years experience