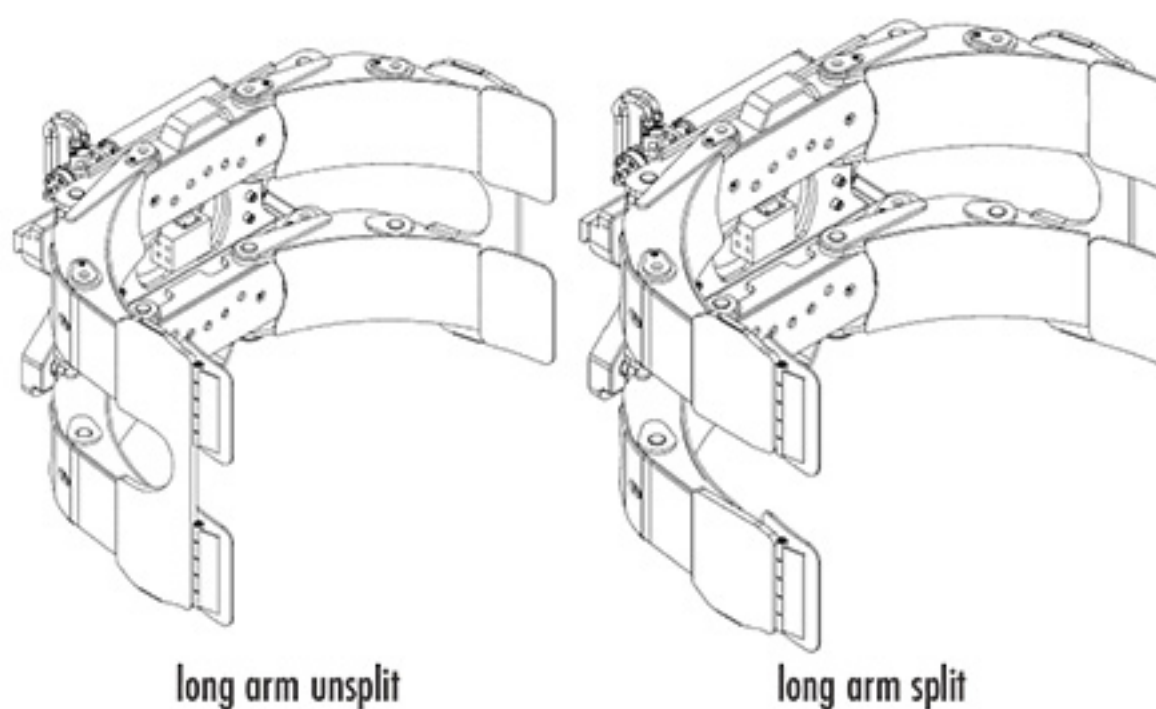
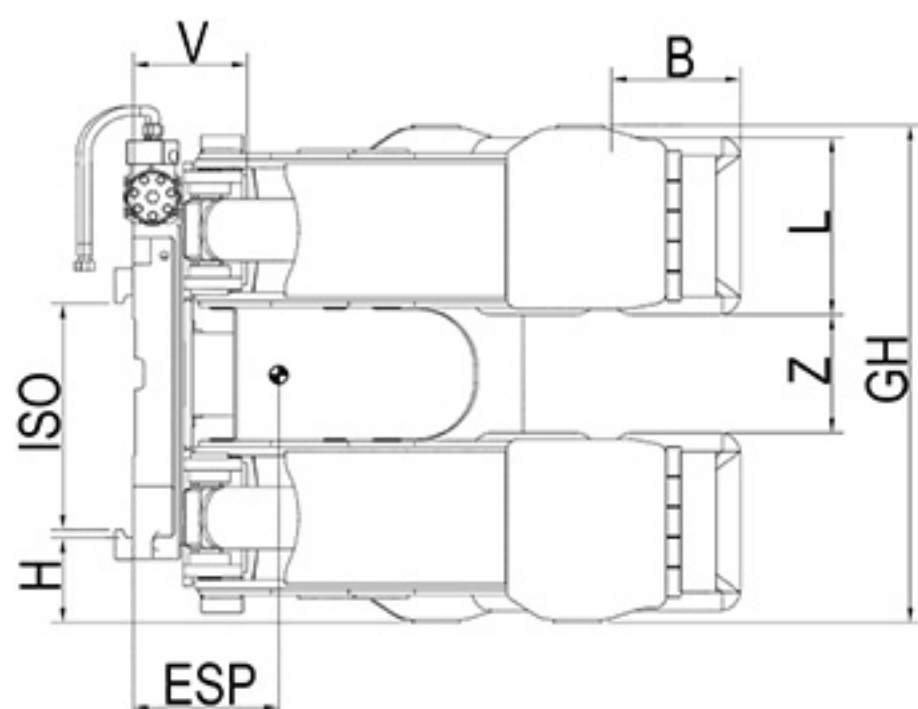


Paper roll clamp 360°

PRK 20 ISO II



type	capacity kg	ISO	LSP LC	roll diameter min - max mm	short arm	GH mm	contact plates B x L mm	Z mm	H mm	V LLC mm	ESP COG mm	weight kg
long arm unsplit												
PRK 20 B - 11	1500	II	575	250 - 1150	powered	840	220x300	200	175	179	206	510
PRK 20 S - 11	1500	II	575	400 - 1150	fixed	840	220x300	200	175	179	206	460
PRK 20 B - 13	1300	II	650	250 - 1300	powered	840	220x300	200	175	179	227	525
PRK 20 S - 13	1300	II	650	400 - 1300	fixed	840	220x300	200	175	179	227	475
PRK 20 B - 14	1200	II	700	250 - 1400	powered	840	220x300	200	175	179	245	535
PRK 20 S - 14	1200	II	700	600 - 1400	fixed	840	220x300	200	175	179	245	485
PRK 20 B - 15	1100	II	760	250 - 1520	powered	840	220x300	200	175	179	257	560
PRK 20 S - 15	1100	II	760	600 - 1520	fixed	840	220x300	200	175	179	257	525
PRK 20 B - 16	1000	II	800	250 - 1600	powered	840	220x300	200	175	179	267	598
PRK 20 S - 16	1000	II	800	600 - 1600	fixed	840	220x300	200	175	179	267	545
long arm split												
PRK 20 TB - 11	1500	II	575	250 - 1150	powered	840	220x300	200	175	179	205	505
PRK 20 TS - 11	1500	II	575	400 - 1150	fixed	840	220x300	200	175	179	205	455
PRK 20 TB - 13	1300	II	650	250 - 1300	powered	840	220x300	200	175	179	223	520
PRK 20 TS - 13	1300	II	650	400 - 1300	fixed	840	220x300	200	175	179	223	470
PRK 20 TB - 14	1200	II	700	250 - 1400	powered	840	220x300	200	175	179	241	530
PRK 20 TS - 14	1200	II	700	600 - 1400	fixed	840	220x300	200	175	179	241	480
PRK 20 TB - 15	1100	II	760	250 - 1520	powered	840	220x300	200	175	179	253	555
PRK 20 TS - 15	1100	II	760	600 - 1520	fixed	840	220x300	200	175	179	253	517
PRK 20 TB - 16	1000	II	800	250 - 1600	powered	840	220x300	200	175	179	262	565
PRK 20 TS - 16	1000	II	800	600 - 1600	fixed	840	220x300	200	175	179	262	540

- 2 hydraulic functions required
- includes hoses and couplings
- optional surfaces:
smooth rubber black upon request
rhombic rubber black or white upon request
smooth polyurethane orange upon request
hot steel sprayed upon request
- other surfaces upon request
- centre cover upon request

- 150 bar pressure at entry required, less pressure results in less clamping force
- powered short arm sequential movement as standard, positioning at 45°, chose on order (no add on price)
- 0° arm design upon request

- one piece contact plate per arm upon request
- quick release hooks upon request (ISO II)

image shows unit complete with optional centre cover

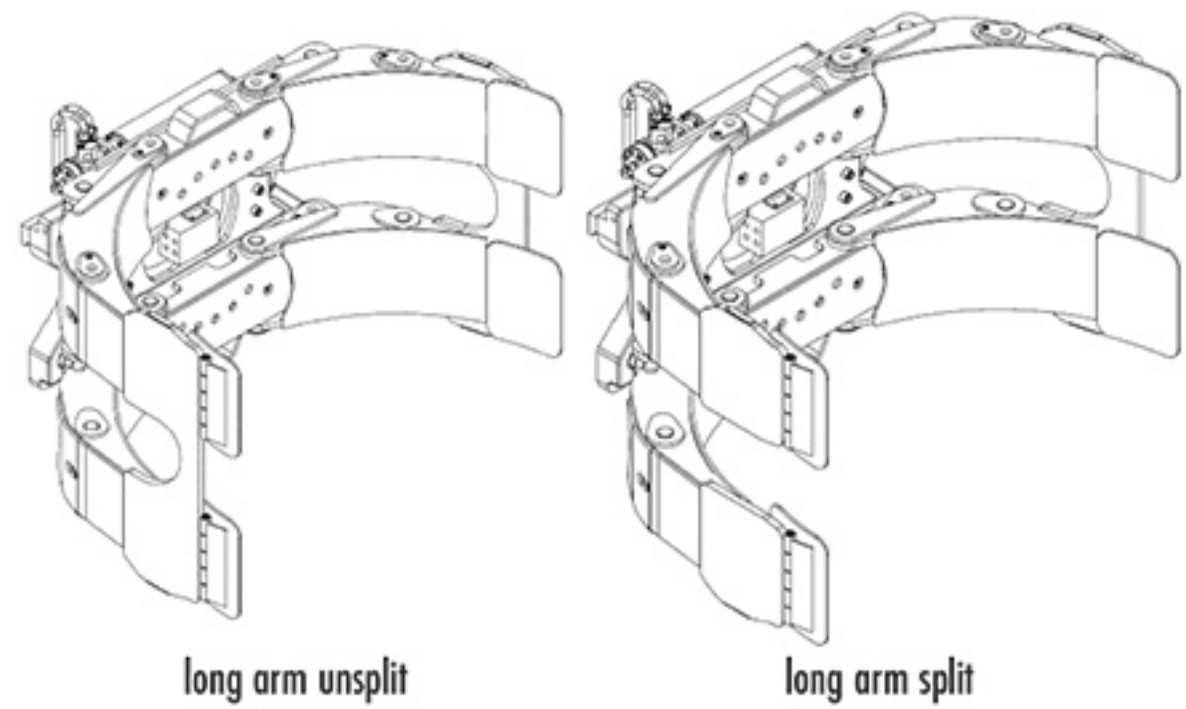
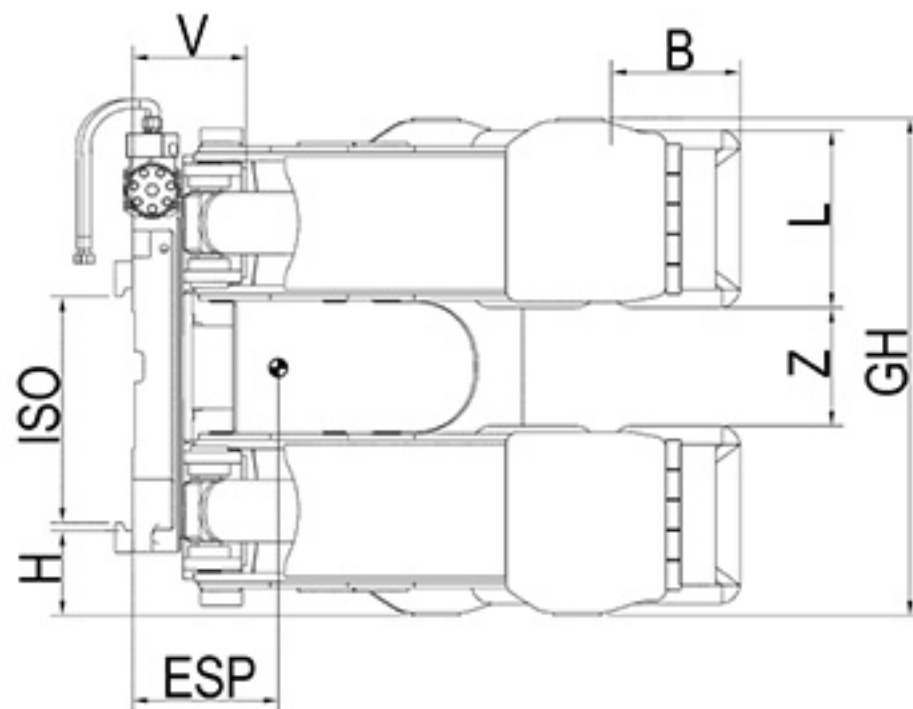


DURWEN
Forklift Attachments

More than 70 years experience

Paper roll clamp 360°

PRK 25
ISO II/III



type	capacity kg	ISO	LSP LC	roll diameter min - max mm	short arm	GH mm	contact plates B x L mm	Z mm	H mm	V LLC mm	ESP COG mm	weight kg
long arm unsplit												
PRK 25 B - 11	2000	II/III	575	250 - 1150	powered	840	220x300	200	143	184	198	565
PRK 25 S - 11	2000	II/III	575	400 - 1150	fixed	840	220x300	200	143	184	198	515
PRK 25 B - 13	1800	II/III	650	250 - 1300	powered	840	220x300	200	143	184	214	580
PRK 25 S - 13	1800	II/III	650	400 - 1300	fixed	840	220x300	200	143	184	214	530
PRK 25 B - 14	1700	II/III	700	250 - 1400	powered	840	220x300	200	143	184	223	590
PRK 25 S - 14	1700	II/III	700	600 - 1400	fixed	840	220x300	200	143	184	223	540
PRK 25 B - 15	1600	II/III	760	250 - 1520	powered	840	220x300	200	143	184	235	615
PRK 25 S - 15	1600	II/III	760	600 - 1520	fixed	840	220x300	200	143	184	235	580
PRK 25 B - 16	1500	II/III	800	250 - 1600	powered	840	220x300	200	143	184	248	653
PRK 25 S - 16	1500	II/III	800	600 - 1600	fixed	840	220x300	200	143	184	248	600
long arm split												
PRK 25 TB - 11	2000	II/III	575	250 - 1150	powered	840	220x300	200	143	184	215	560
PRK 25 TS - 11	2000	II/III	575	400 - 1150	fixed	840	220x300	200	143	184	200	510
PRK 25 TB - 13	1800	II/III	650	250 - 1300	powered	840	220x300	200	143	184	240	575
PRK 25 TS - 13	1800	II/III	650	400 - 1300	fixed	840	220x300	200	143	184	215	525
PRK 25 TB - 14	1700	II/III	700	250 - 1400	powered	840	220x300	200	143	184	250	585
PRK 25 TS - 14	1700	II/III	700	600 - 1400	fixed	840	220x300	200	143	184	230	535
PRK 25 TB - 15	1600	II/III	760	250 - 1520	powered	840	220x300	200	143	184	260	610
PRK 25 TS - 15	1600	II/III	760	600 - 1520	fixed	840	220x300	200	143	184	240	572
PRK 25 TB - 16	1500	II/III	800	250 - 1600	powered	840	220x300	200	143	184	273	648
PRK 25 TS - 16	1500	II/III	800	600 - 1600	fixed	840	220x300	200	143	184	245	595

- 2 hydraulic functions required
- includes hoses and couplings
- optional surfaces:
smooth rubber black upon request
rhombic rubber black or white upon request
smooth polyurethane orange upon request
hot steel sprayed upon request
- other surfaces upon request
- centre cover upon request
- 150 bar pressure at entry required, less pressure results in less clamping force
- powered short arm sequential movement as standard, positioning at 45°, chose on order (no add on price)
- 0° arm design upon request
- one piece contact plate per arm upon request
- quick release hooks upon request (ISO II), ISO III)

image shows unit complete with optional centre cover

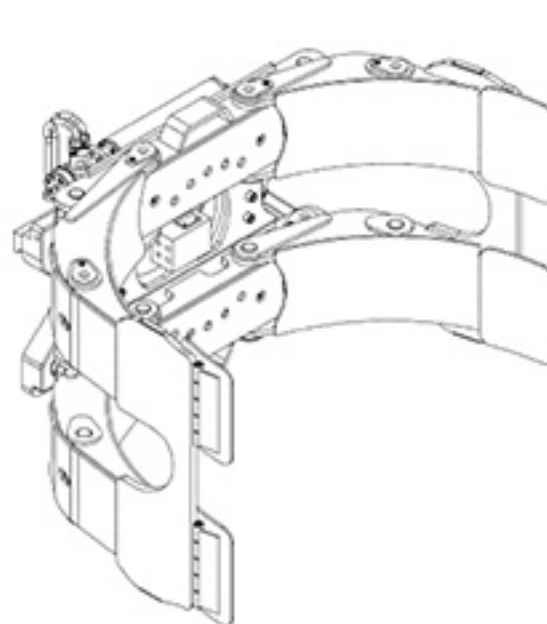
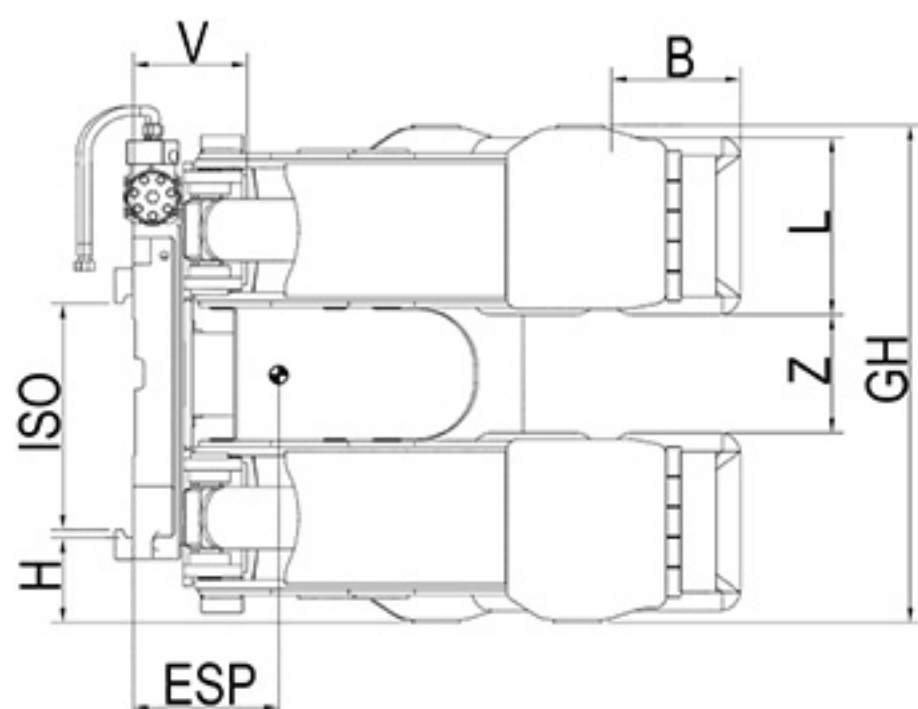


DURWEN
Forklift Attachments

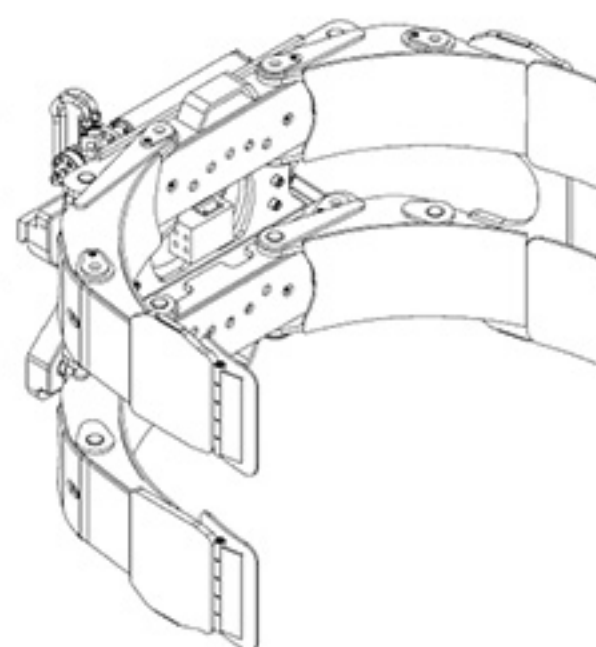
More than 70 years experience

Paper roll clamp 360°

PRK 30
ISO II/III



long arm unsplit



long arm split

type	capacity kg	ISO	LSP LC	roll diameter min - max mm	short arm	GH mm	contact plates B x L mm	Z mm	H mm	V LLC mm	ESP COG mm	weight kg
long arm unsplit												
PRK 30 B - 12	2400	II / III	600	250 - 1200	powered	840	220x300	200	143	197	222	660
PRK 30 S - 12	2400	II / III	600	500 - 1200	fixed	840	220x300	200	143	197	222	655
PRK 30 B - 13	2200	II / III	650	250 - 1300	powered	840	220x300	200	143	197	225	675
PRK 30 S - 13	2200	II / III	650	500 - 1300	fixed	840	220x300	200	143	197	225	670
PRK 30 B - 14	2000	II / III	725	250 - 1450	powered	840	220x300	200	143	197	235	685
PRK 30 S - 14	2000	II / III	725	600 - 1450	fixed	840	220x300	200	143	197	235	680
PRK 30 B - 15	1900	II / III	760	250 - 1520	powered	840	220x300	200	143	197	254	700
PRK 30 S - 15	1900	II / III	760	600 - 1520	fixed	840	220x300	200	143	197	254	695
PRK 30 B - 16	1750	II / III	800	250 - 1600	powered	840	220x300	200	143	197	275	715
PRK 30 S - 16	1750	II / III	800	600 - 1600	fixed	840	220x300	200	143	197	275	710
long arm split												
PRK 30 TB - 12	2400	II / III	600	250 - 1200	powered	840	220x300	200	143	197	215	650
PRK 30 TS - 12	2400	II / III	600	500 - 1200	fixed	840	220x300	200	143	197	215	645
PRK 30 TB - 13	2200	II / III	650	250 - 1300	powered	840	220x300	200	143	197	220	665
PRK 30 TS - 13	2200	II / III	650	500 - 1300	fixed	840	220x300	200	143	197	220	660
PRK 30 TB - 14	2000	II / III	725	250 - 1450	powered	840	220x300	200	143	197	228	675
PRK 30 TS - 14	2000	II / III	725	600 - 1450	fixed	840	220x300	200	143	197	228	670
PRK 30 TB - 15	1900	II / III	760	250 - 1520	powered	840	220x300	200	143	197	248	690
PRK 30 TS - 15	1900	II / III	760	600 - 1520	fixed	840	220x300	200	143	197	248	685
PRK 30 TB - 16	1750	II / III	800	250 - 1600	powered	840	220x300	200	143	197	270	705
PRK 30 TS - 16	1750	II / III	800	600 - 1600	fixed	840	220x300	200	143	197	270	700

- 2 hydraulic functions required
- includes hoses and couplings
- optional surfaces:
smooth rubber black upon request
rhombic rubber black or white upon request
smooth polyurethane orange upon request
hot steel sprayed upon request
- other surfaces upon request
- centre cover upon request

- 150 bar pressure at entry required, less pressure results in less clamping force
- powered short arm sequential movement as standard, positioning at 45°, chose on order (no add on price)
- 0° arm design upon request

- one piece contact plate per arm upon request
- quick release hooks upon request (ISO II), (ISO III)

image shows unit complete with optional centre cover

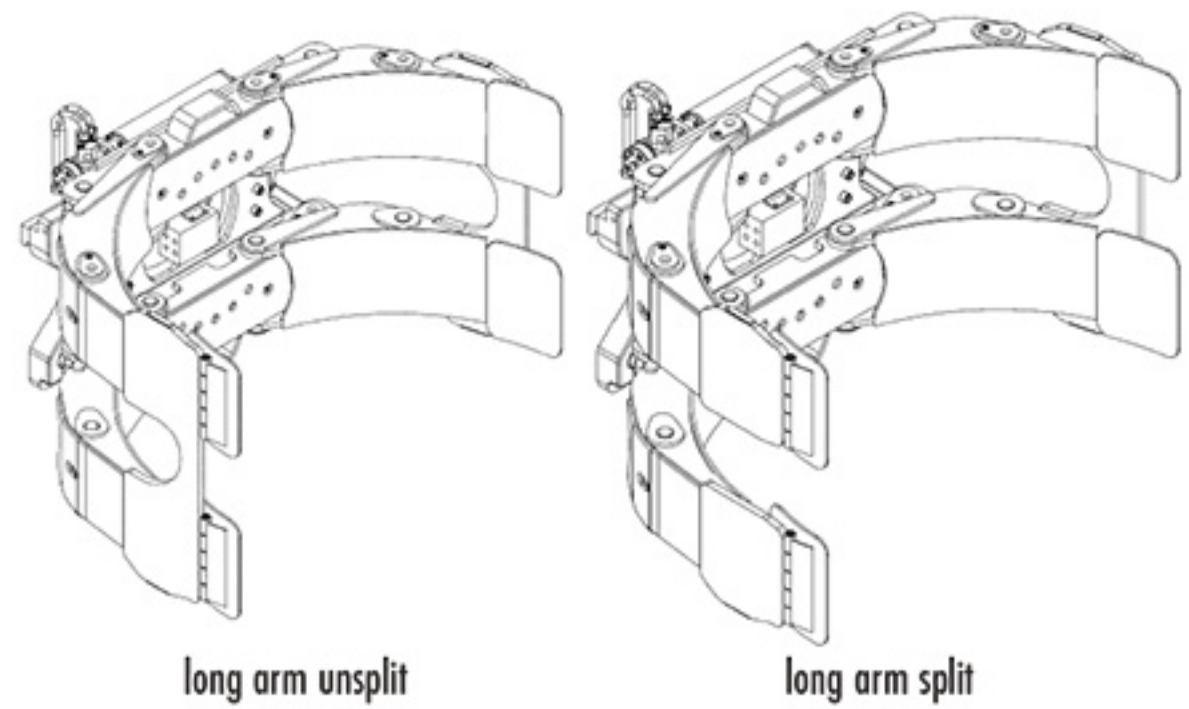
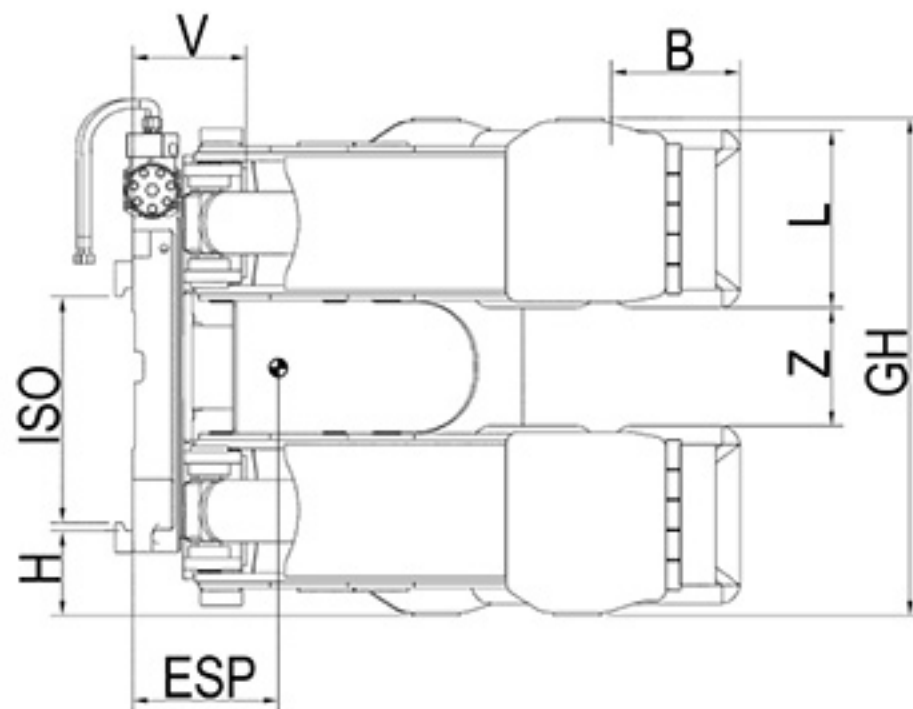


DURWEN
Forklift Attachments

More than 70 years experience

Paper roll clamp 360°

PRK 35
ISO II/III



type	capacity kg	ISO	LSP LC	roll diameter min - max mm	short arm	GH mm	contact plates B x L mm	Z mm	H mm	V LLC mm	ESP COG mm	weight kg
long arm unsplit												
PRK 35 B - 13	2500	II / III	650	250 - 1300	powered	840	220x300	200	143	197	234	735
PRK 35 S - 13	2500	II / III	650	500 - 1300	fixed	840	220x300	200	143	197	234	730
PRK 35 B - 14	2200	II / III	725	250 - 1450	powered	840	220x300	200	143	197	248	760
PRK 35 S - 14	2200	II / III	725	500 - 1450	fixed	840	220x300	200	143	197	248	755
PRK 35 B - 15	2100	II / III	760	250 - 1520	powered	840	220x300	200	143	197	261	790
PRK 35 S - 15	2100	II / III	760	500 - 1520	fixed	840	220x300	200	143	197	261	785
PRK 35 B - 16	2000	II / III	800	250 - 1600	powered	840	220x300	200	143	197	273	815
PRK 35 S - 16	2000	II / III	800	600 - 1600	fixed	840	220x300	200	143	197	273	810
PRK 35 B - 18	1700	II / III	915	350 - 1830	powered	840	220x300	200	143	197	301	850
PRK 35 S - 18	1700	II / III	915	630 - 1830	fixed	840	220x300	200	143	197	301	845
long arm split												
PRK 35 TB - 13	2500	II / III	650	250 - 1300	powered	840	220x300	200	143	197	229	730
PRK 35 TS - 13	2500	II / III	650	500 - 1300	fixed	840	220x300	200	143	197	229	725
PRK 35 TB - 14	2200	II / III	725	250 - 1450	powered	840	220x300	200	143	197	243	750
PRK 35 TS - 14	2200	II / III	725	500 - 1450	fixed	840	220x300	200	143	197	243	745
PRK 35 TB - 15	2100	II / III	760	250 - 1520	powered	840	220x300	200	143	197	256	780
PRK 35 TS - 15	2100	II / III	760	500 - 1520	fixed	840	220x300	200	143	197	256	775
PRK 35 TB - 16	2000	II / III	800	250 - 1600	powered	840	220x300	200	143	197	268	805
PRK 35 TS - 16	2000	II / III	800	600 - 1600	fixed	840	220x300	200	143	197	268	800
PRK 35 TB - 18	1700	II / III	915	350 - 1830	powered	840	220x300	200	143	197	296	840
PRK 35 TS - 18	1700	II / III	915	630 - 1830	fixed	840	220x300	200	143	197	296	835

- 2 hydraulic functions required
- includes hoses and couplings
- optional surfaces:
smooth rubber black upon request
rhombic rubber black or white upon request
smooth polyurethane orange upon request
hot steel sprayed upon request
- other surfaces upon request
- centre cover upon request
- 150 bar pressure at entry required, less pressure results in less clamping force
- powered short arm sequential movement as standard, positioning at 45°, chose on order (no add on price)
- 0° arm design upon request
- one piece contact plate per arm upon request
- quick release hooks upon request (ISO II), (ISO III)

image shows unit complete with optional centre cover

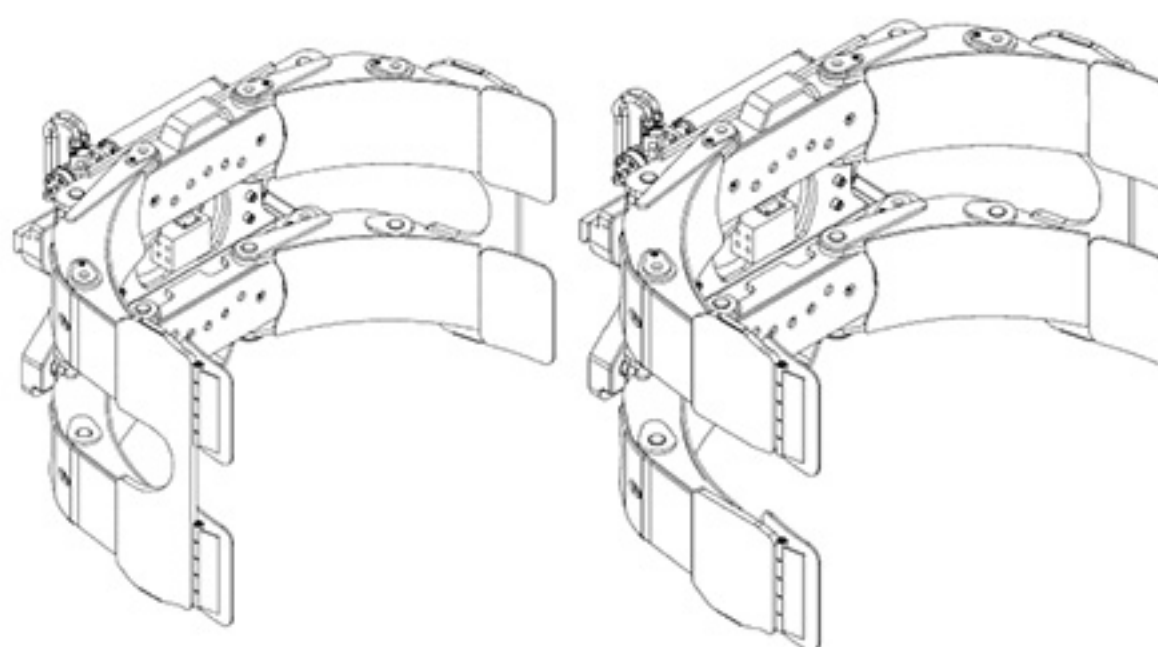
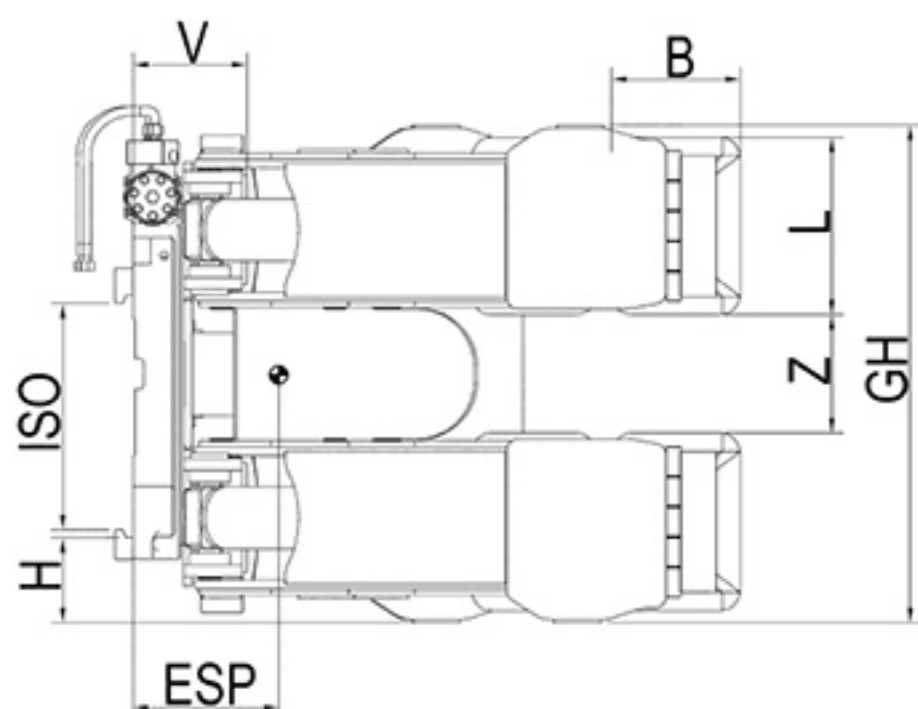


DURWEN
Forklift Attachments

More than 70 years experience

Paper roll clamp 360°

PRK 40
ISO III/IV



long arm unsplit

long arm split

type	capacity kg	ISO	LSP LC	roll diameter min - max mm	short arm	GH mm	contact plates B x L mm	Z mm	H mm	V LLC mm	ESP COG mm	weight kg
long arm unsplit												
PRK 40 B - 13	3000	III / IV	650	250 - 1300	powered	1040	250x400	200	195/200	215	225	905
PRK 40 S - 13	3000	III / IV	650	500 - 1300	fixed	1040	250x400	200	195/200	215	225	900
PRK 40 B - 14	2800	III / IV	725	250 - 1450	powered	1040	250x400	200	195/200	215	250	940
PRK 40 S - 14	2800	III / IV	725	500 - 1450	fixed	1040	250x400	200	195/200	215	250	935
PRK 40 B - 15	2650	III / IV	760	250 - 1520	powered	1040	250x400	200	195/200	215	272	985
PRK 40 S - 15	2650	III / IV	760	500 - 1520	fixed	1040	250x400	200	195/200	215	272	980
PRK 40 B - 16	2500	III / IV	800	250 - 1600	powered	1040	250x400	200	195/200	215	290	1010
PRK 40 S - 16	2500	III / IV	800	600 - 1600	fixed	1040	250x400	200	195/200	215	290	1005
PRK 40 B - 18	2100	III / IV	915	350 - 1830	powered	1040	250x400	200	195/200	215	325	1050
PRK 40 S - 18	2100	III / IV	915	630 - 1830	fixed	1040	250x400	200	195/200	215	325	1045
long arm split												
PRK 40 TB - 13	3000	III / IV	650	250 - 1300	powered	1040	250x400	200	195/200	215	225	895
PRK 40 TS - 13	3000	III / IV	650	500 - 1300	fixed	1040	250x400	200	195/200	215	225	890
PRK 40 TB - 14	2800	III / IV	725	250 - 1450	powered	1040	250x400	200	195/200	215	245	930
PRK 40 TS - 14	2800	III / IV	725	500 - 1450	fixed	1040	250x400	200	195/200	215	245	925
PRK 40 TB - 15	2650	III / IV	760	250 - 1520	powered	1040	250x400	200	195/200	215	265	975
PRK 40 TS - 15	2650	III / IV	760	500 - 1520	fixed	1040	250x400	200	195/200	215	265	970
PRK 40 TB - 16	2500	III / IV	800	250 - 1600	powered	1040	250x400	200	195/200	215	285	1000
PRK 40 TS - 16	2500	III / IV	800	600 - 1600	fixed	1040	250x400	200	195/200	215	285	995
PRK 40 TB - 18	2100	III / IV	915	350 - 1830	powered	1040	250x400	200	195/200	215	305	1040
PRK 40 TS - 18	2100	III / IV	915	630 - 1830	fixed	1040	250x400	200	195/200	215	305	1035

- 2 hydraulic functions required
- includes hoses and couplings
- optional surfaces:
smooth rubber black upon request
rhombic rubber black or white upon request
smooth polyurethane orange upon request
hot steel sprayed upon request
- other surfaces upon request
- centre cover upon request

- 150 bar pressure at entry required, less pressure results in less clamping force
- powered short arm sequential movement as standard, positioning at 45°, chose on order (no add on price)
- 0° arm design upon request

- one piece contact plate per arm upon request
- quick release hooks upon request (ISO III), (ISO IV)

image shows unit complete with optional centre cover

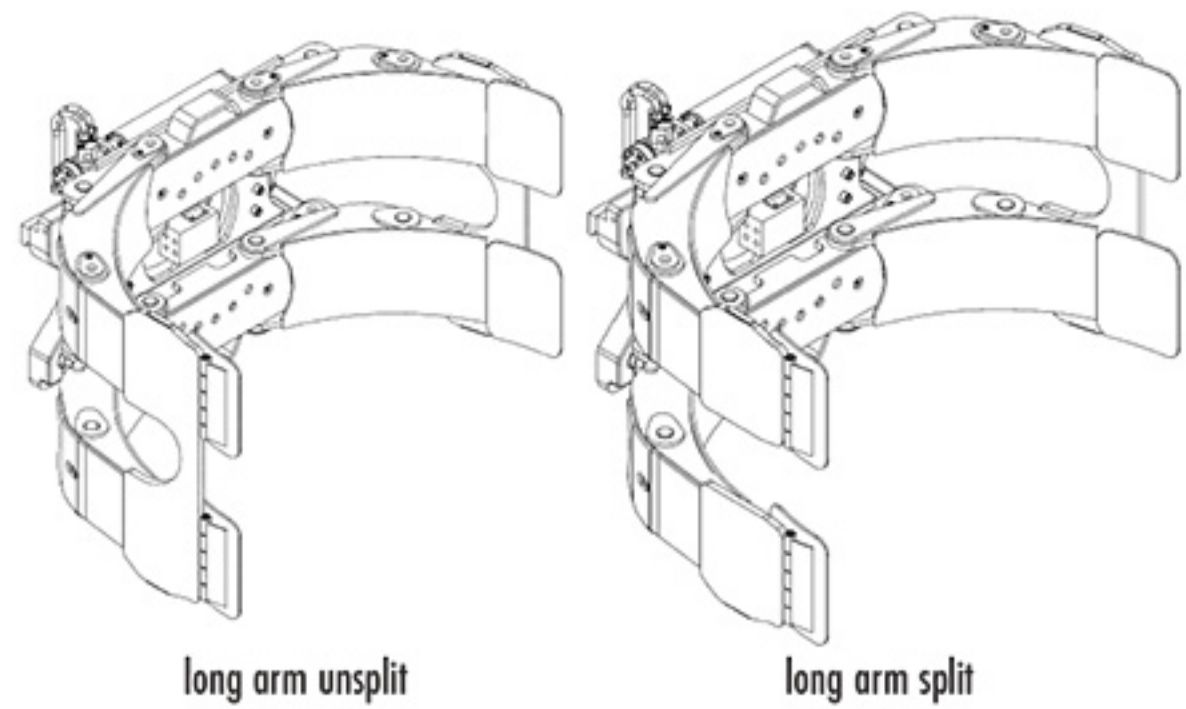
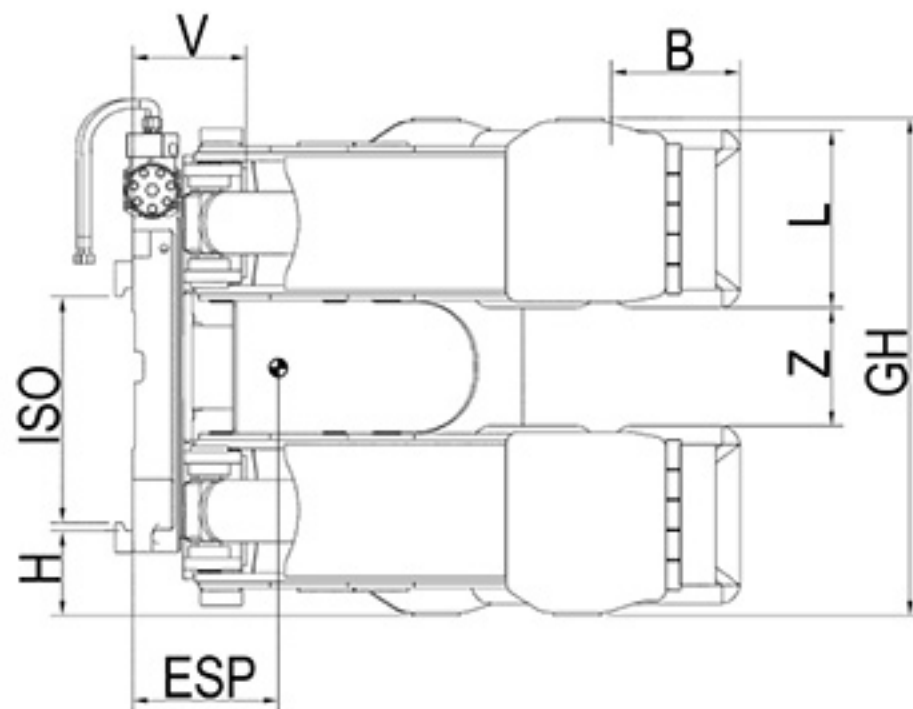


DURWEN
Forklift Attachments

More than 70 years experience

Paper roll clamp 360°

PRK 45
ISO III/IV



type	capacity kg	ISO	LSP LC	roll diameter min - max mm	short arm	GH mm	contact plates B x L mm	Z mm	H mm	V LLC mm	ESP COG mm	weight kg
long arm unsplit												
PRK 45 B - 13	3500	III / IV	650	250 - 1300	powered	1040	250x400	200	195/200	220	245	945
PRK 45 S - 13	3500	III / IV	650	550 - 1300	fixed	1040	250x400	200	195/200	220	245	940
PRK 45 B - 14	3300	III / IV	725	250 - 1450	powered	1040	250x400	200	195/200	220	259	975
PRK 45 S - 14	3300	III / IV	725	550 - 1450	fixed	1040	250x400	200	195/200	220	259	970
PRK 45 B - 15	3000	III / IV	760	250 - 1520	powered	1040	250x400	200	195/200	220	276	1000
PRK 45 S - 15	3000	III / IV	760	650 - 1520	fixed	1040	250x400	200	195/200	220	276	995
PRK 45 B - 16	2800	III / IV	800	250 - 1600	powered	1040	250x400	200	195/200	220	310	1050
PRK 45 S - 16	2800	III / IV	800	650 - 1600	fixed	1040	250x400	200	195/200	220	310	1045
PRK 45 B - 18	2500	III / IV	915	400 - 1830	powered	1040	250x400	200	195/200	220	315	1070
PRK 45 S - 18	2500	III / IV	915	650 - 1830	fixed	1040	250x400	200	195/200	220	315	1065
long arm split												
PRK 45 TB - 13	3500	III / IV	650	250 - 1300	powered	1040	250x400	200	195/200	220	240	935
PRK 45 TS - 13	3500	III / IV	650	550 - 1300	fixed	1040	250x400	200	195/200	220	240	930
PRK 45 TB - 14	3300	III / IV	725	250 - 1450	powered	1040	250x400	200	195/200	220	254	965
PRK 45 TS - 14	3300	III / IV	725	550 - 1450	fixed	1040	250x400	200	195/200	220	254	960
PRK 45 TB - 15	3000	III / IV	760	250 - 1520	powered	1040	250x400	200	195/200	220	266	990
PRK 45 TS - 15	3000	III / IV	760	650 - 1520	fixed	1040	250x400	200	195/200	220	266	985
PRK 45 TB - 16	2800	III / IV	800	250 - 1600	powered	1040	250x400	200	195/200	220	300	1040
PRK 45 TS - 16	2800	III / IV	800	650 - 1600	fixed	1040	250x400	200	195/200	220	300	1035
PRK 45 TB - 18	2500	III / IV	915	400 - 1830	powered	1040	250x400	200	195/200	220	305	1060
PRK 45 TS - 18	2500	III / IV	915	650 - 1830	fixed	1040	250x400	200	195/200	220	305	1055

- 2 hydraulic functions required
- includes hoses and couplings
- optional surfaces:
smooth rubber black upon request
rhombic rubber black or white upon request
smooth polyurethane orange upon request
hot steel sprayed upon request
- other surfaces upon request
- centre cover upon request
- 150 bar pressure at entry required, less pressure results in less clamping force
- powered short arm sequential movement as standard, positioning at 45°, chose on order (no add on price)
- 0° arm design upon request
- one piece contact plate per arm upon request
- quick release hooks upon request (ISO III), (ISO IV)

image shows unit complete with optional centre cover

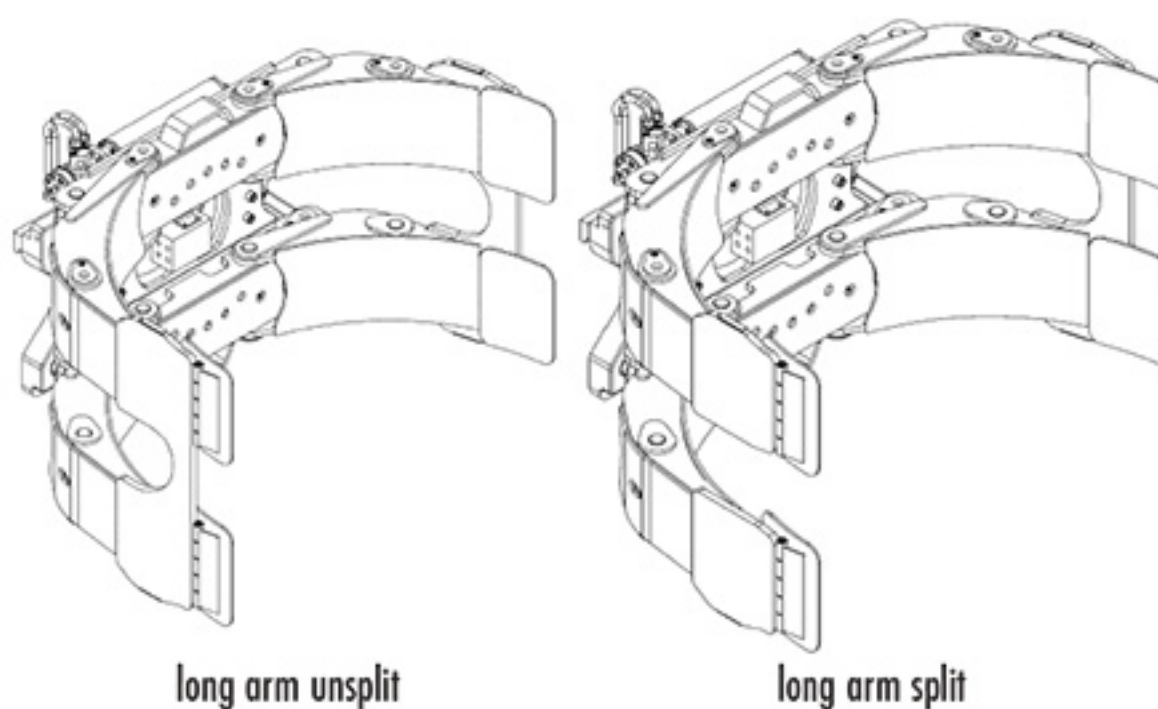
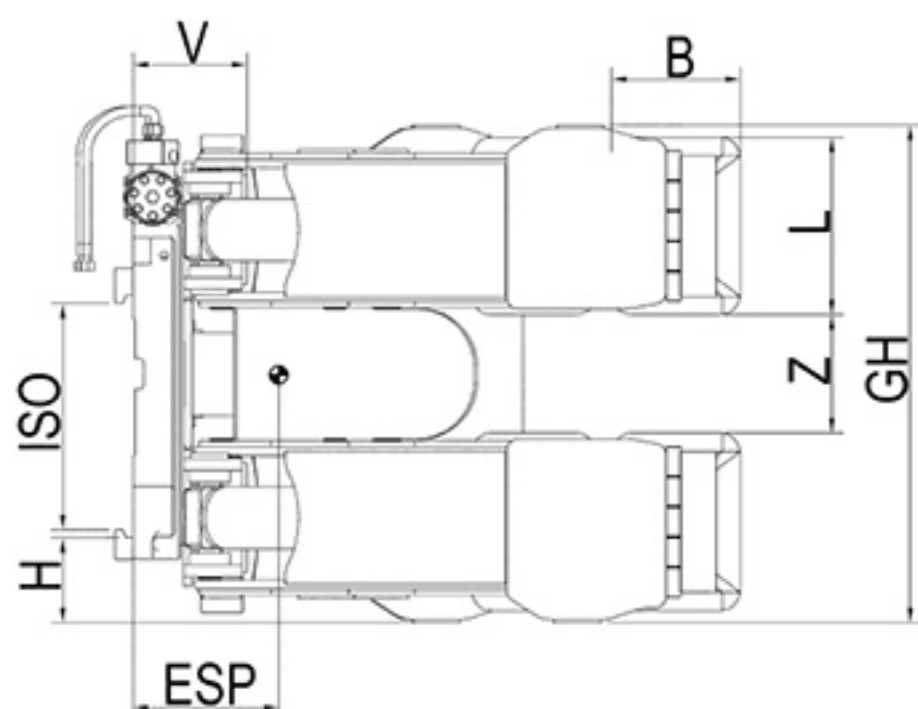


DURWEN
Forklift Attachments

More than 70 years experience

Paper roll clamp 360°

PRK 50
ISO III/IV



type	capacity kg	ISO	LSP LC	roll diameter min - max mm	short arm	GH mm	contact plates B x L mm	Z mm	H mm	V LLC mm	ESP COG mm	weight kg
long arm unsplit												
PRK 50 B - 13	4000	III / IV	650	250 - 1300	powered	1140	280x400	300	245/250	225	247	1060
PRK 50 S - 13	4000	III / IV	650	500 - 1300	fixed	1140	280x400	300	245/250	225	247	1055
PRK 50 B - 14	3900	III / IV	725	250 - 1450	powered	1140	280x400	300	245/250	225	259	1095
PRK 50 S - 14	3900	III / IV	725	500 - 1450	fixed	1140	280x400	300	245/250	225	259	1090
PRK 50 B - 15	3800	III / IV	760	250 - 1520	powered	1140	280x400	300	245/250	225	272	1130
PRK 50 S - 15	3800	III / IV	760	500 - 1520	fixed	1140	280x400	300	245/250	225	272	1125
PRK 50 B - 16	3700	III / IV	800	250 - 1600	powered	1140	280x400	300	245/250	225	283	1150
PRK 50 S - 16	3700	III / IV	800	500 - 1600	fixed	1140	280x400	300	245/250	225	283	1145
PRK 50 B - 18	3400	III / IV	915	350 - 1830	powered	1140	280x400	300	245/250	225	307	1220
PRK 50 S - 18	3400	III / IV	915	630 - 1830	fixed	1140	280x400	300	245/250	225	307	1215
long arm split												
PRK 50 TB - 13	4000	III / IV	650	250 - 1300	powered	1140	280x400	300	245/250	225	242	1050
PRK 50 TS - 13	4000	III / IV	650	500 - 1300	fixed	1140	280x400	300	245/250	225	242	1045
PRK 50 TB - 14	3900	III / IV	725	250 - 1450	powered	1140	280x400	300	245/250	225	254	1085
PRK 50 TS - 14	3900	III / IV	725	500 - 1450	fixed	1140	280x400	300	245/250	225	254	1080
PRK 50 TB - 15	3800	III / IV	760	250 - 1520	powered	1140	280x400	300	245/250	225	267	1120
PRK 50 TS - 15	3800	III / IV	760	500 - 1520	fixed	1140	280x400	300	245/250	225	267	1115
PRK 50 TB - 16	3700	III / IV	800	250 - 1600	powered	1140	280x400	300	245/250	225	278	1140
PRK 50 TS - 16	3700	III / IV	800	500 - 1600	fixed	1140	280x400	300	245/250	225	278	1135
PRK 50 TB - 18	3400	III / IV	915	350 - 1830	powered	1140	280x400	300	245/250	225	302	1210
PRK 50 TS - 18	3400	III / IV	915	630 - 1830	fixed	1140	280x400	300	245/250	225	302	1205

- 2 hydraulic functions required
- includes hoses and couplings
- optional surfaces:
smooth rubber black upon request
rhombic rubber black or white upon request
smooth polyurethane orange upon request
hot steel sprayed upon request
- other surfaces upon request
- centre cover upon request
- 150 bar pressure at entry required, less pressure results in less clamping force
- powered short arm sequential movement as standard, positioning at 45°, chose on order (no add on price)
- 0° arm design upon request
- one piece contact plate per arm upon request
- quick release hooks (ISO III), (ISO IV)

image shows unit complete with optional centre cover

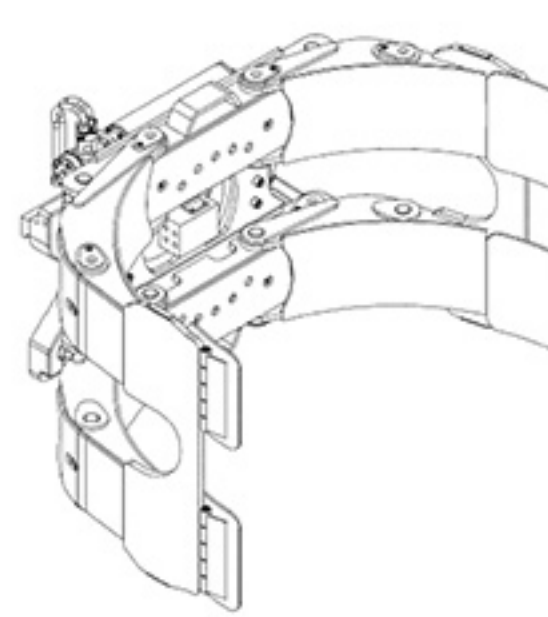
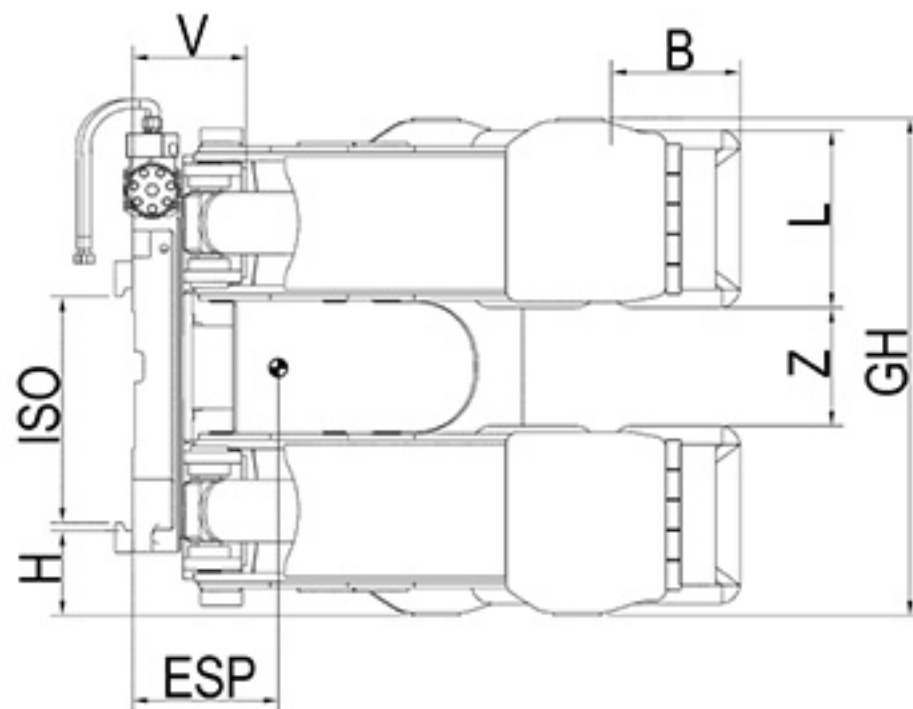


DURWEN
Forklift Attachments

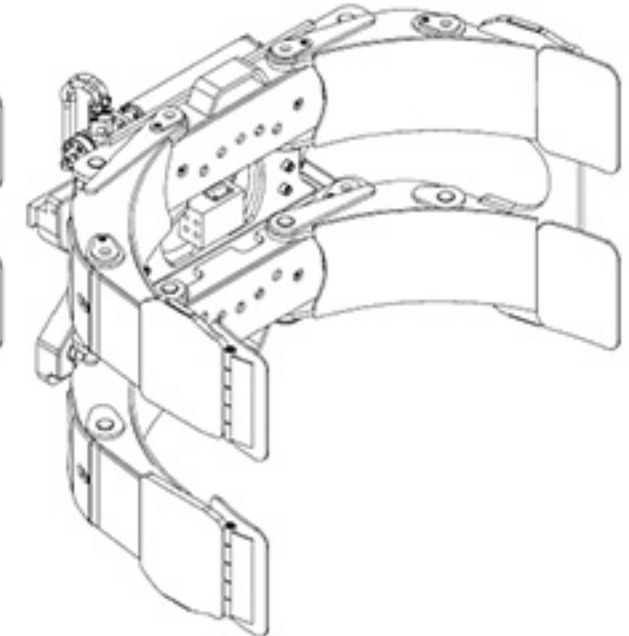
More than 70 years experience

Paper roll clamp 360°

PRK 60 ISO IV



long arm unsplit



long arm split

type	capacity kg	ISO	LSP LC	roll diameter min - max mm	short arm	GH mm	contact plates B x L mm	Z mm	H mm	V LLC mm	ESP COG mm	weight kg
long arm unsplit												
PRK 60 B - 13	4500	IV	650	250 - 1300	powered	1140	280x400	300	205	228	249	1200
PRK 60 S - 13	4500	IV	650	500 - 1300	fixed	1140	280x400	300	205	228	249	1195
PRK 60 B - 14	4300	IV	725	250 - 1450	powered	1140	280x400	300	205	228	256	1225
PRK 60 S - 14	4300	IV	725	500 - 1450	fixed	1140	280x400	300	205	228	156	1220
PRK 60 B - 15	4200	IV	760	250 - 1520	powered	1140	280x400	300	205	228	263	1260
PRK 60 S - 15	4200	IV	760	450 - 1520	fixed	1140	280x400	300	205	228	263	1250
PRK 60 B - 16	4000	IV	800	250 - 1600	powered	1140	280x400	300	205	228	270	1285
PRK 60 S - 16	4000	IV	800	500 - 1600	fixed	1140	280x400	300	205	228	270	1270
PRK 60 B - 18	3800	IV	915	350 - 1830	powered	1140	280x400	300	205	228	289	1325
PRK 60 S - 18	3800	IV	915	650 - 1830	fixed	1140	280x400	300	205	228	289	1320
PRK 60 B - 19	3200	IV	950	350 - 1900	powered	1140	280x400	300	205	228	300	1345
PRK 60 S - 19	3200	IV	950	700 - 1900	fixed	1140	280x400	300	205	228	300	1340
PRK 60 B - 20	2800	IV	1000	350 - 2000	powered	1140	280x400	300	205	228	314	1380
PRK 60 S - 20	2800	IV	1000	700 - 2000	fixed	1140	280x400	300	205	228	314	1375
long arm split												
PRK 60 TB - 13	4500	IV	650	250 - 1300	powered	1140	280x400	300	205	228	244	1190
PRK 60 TS - 13	4500	IV	650	500 - 1300	fixed	1140	280x400	300	205	228	244	1185
PRK 60 TB - 14	4300	IV	725	250 - 1450	powered	1140	280x400	300	205	228	251	1215
PRK 60 TS - 14	4300	IV	725	500 - 1450	fixed	1140	280x400	300	205	228	251	1210
PRK 60 TB - 15	4200	IV	760	250 - 1520	powered	1140	280x400	300	205	228	258	1255
PRK 60 TS - 15	4200	IV	760	450 - 1520	fixed	1140	280x400	300	205	228	258	1250
PRK 60 TB - 16	4000	IV	800	250 - 1600	powered	1140	280x400	300	205	228	265	1270
PRK 60 TS - 16	4000	IV	800	500 - 1600	fixed	1140	280x400	300	205	228	265	1265
PRK 60 TB - 18	3800	IV	915	350 - 1830	powered	1140	280x400	300	205	228	284	1315
PRK 60 TS - 18	3800	IV	915	650 - 1830	fixed	1140	280x400	300	205	228	284	1310
PRK 60 TB - 19	3200	IV	950	350 - 1900	powered	1140	280x400	300	205	228	295	1335
PRK 60 TS - 19	3200	IV	950	700 - 1900	fixed	1140	280x400	300	205	228	295	1330
PRK 60 TB - 20	2800	IV	1000	350 - 2000	powered	1140	280x400	300	205	228	311	1370
PRK 60 TS - 20	2800	IV	1000	700 - 2000	fixed	1140	280x400	300	205	228	311	1365

- 2 hydraulic functions required

- includes hoses and couplings

- optional surfaces:

smooth rubber black upon request

rhombic rubber black or white upon request

smooth polyurethane orange upon request

hot steel sprayed upon request

- other surfaces upon request

- centre cover upon request

- 150 bar pressure at entry required, less pressure results in less clamping force

- powered short arm sequential movement as standard, positioning at 45°, chose on order (no add on price)

- 0° arm design upon request

- 0° arm design upon request

- one piece contact plate per arm upon request

- quick release hooks upon request (ISO IV)

image shows unit complete with optional centre cover

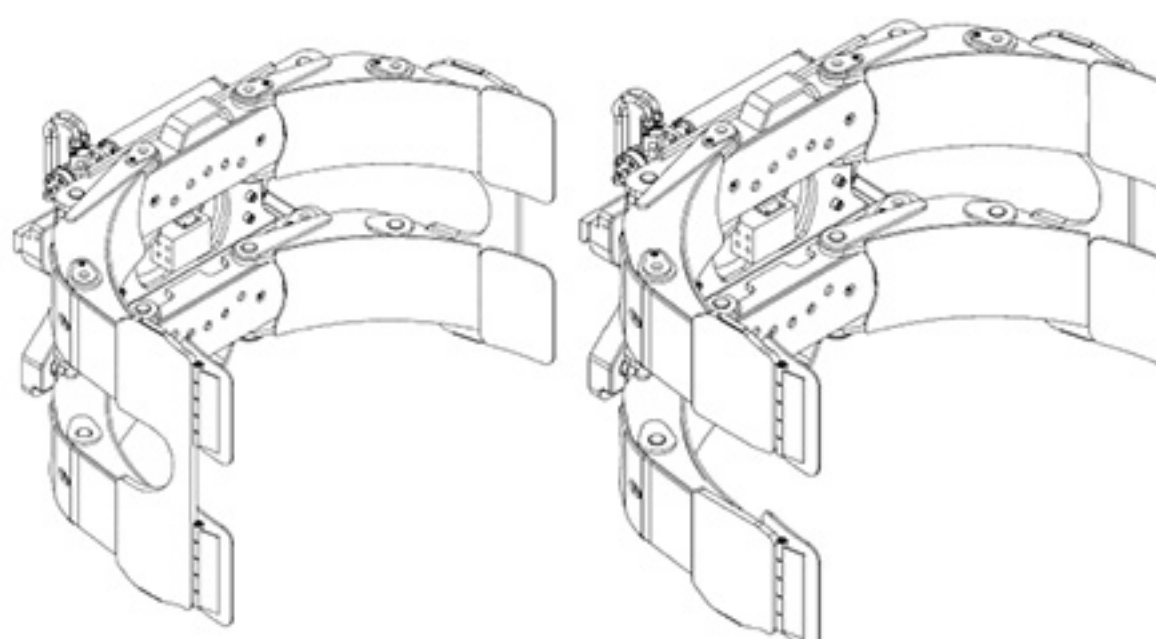
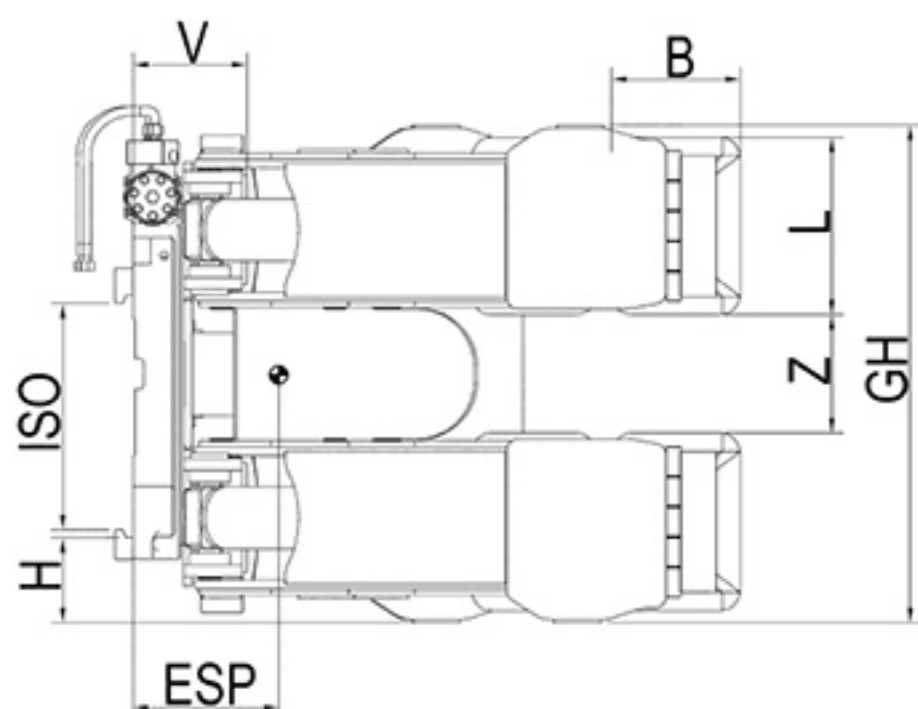


DURWEN
Forklift Attachments

More than 70 years experience

Paper roll clamp 360°

PRK 80 ISO IV



long arm unsplit

long arm split

type	capacity kg	ISO	LSP LC	roll diameter min - max mm	short arm	GH mm	contact plates B x L mm	Z mm	H mm	V LLC mm	ESP COG mm	weight kg
long arm unsplit												
PRK 80 B - 13	5000	IV	650	250 - 1300	powered	1240	280x500	200	255	239	259	1330
PRK 80 S - 13	5000	IV	650	500 - 1300	fixed	1240	280x500	200	255	239	259	1325
PRK 80 B - 14	4800	IV	725	250 - 1450	powered	1240	280x500	200	255	239	271	1365
PRK 80 S - 14	4800	IV	725	500 - 1450	fixed	1240	280x500	200	255	239	271	1360
PRK 80 B - 15	4600	IV	760	250 - 1520	powered	1240	280x500	200	255	239	282	1395
PRK 80 S - 15	4600	IV	760	450 - 1520	fixed	1240	280x500	200	255	239	282	1390
PRK 80 B - 16	4500	IV	800	250 - 1600	powered	1240	280x500	200	255	239	291	1470
PRK 80 S - 16	4500	IV	800	500 - 1600	fixed	1240	280x500	200	255	239	291	1465
PRK 80 B - 18	3900	IV	915	350 - 1830	powered	1240	280x500	200	255	239	326	1495
PRK 80 S - 18	3900	IV	915	650 - 1830	fixed	1240	280x500	200	255	239	326	1490
PRK 80 B - 19	3600	IV	950	350 - 1900	powered	1240	280x500	200	255	239	343	1520
PRK 80 S - 19	3600	IV	950	700 - 1900	fixed	1240	280x500	200	255	239	343	1515
PRK 80 B - 20	3500	IV	1000	350 - 2000	powered	1240	280x500	200	255	239	360	1590
PRK 80 S - 20	3500	IV	1000	700 - 2000	fixed	1240	280x500	200	255	239	360	1585
PRK 80 B - 21	3300	IV	1050	450 - 2100	powered	1240	280x500	200	255	239	377	1630
PRK 80 S - 21	3300	IV	1050	900 - 2100	fixed	1240	280x500	200	255	239	377	1625
long arm split												
PRK 80 TB - 13	5000	IV	650	250 - 1300	powered	1240	280x500	200	255	239	254	1335
PRK 80 TS - 13	5000	IV	650	500 - 1300	fixed	1240	280x500	200	255	239	254	1330
PRK 80 TB - 14	4800	IV	725	250 - 1450	powered	1240	280x500	200	255	239	266	1370
PRK 80 TS - 14	4800	IV	725	500 - 1450	fixed	1240	280x500	200	255	239	266	1365
PRK 80 TB - 15	4600	IV	760	250 - 1520	powered	1240	280x500	200	255	239	277	1400
PRK 80 TS - 15	4600	IV	760	450 - 1520	fixed	1240	280x500	200	255	239	277	1395
PRK 80 TB - 16	4500	IV	800	250 - 1600	powered	1240	280x500	200	255	239	286	1470
PRK 80 TS - 16	4500	IV	800	500 - 1600	fixed	1240	280x500	200	255	239	286	1465
PRK 80 TB - 18	3900	IV	915	350 - 1830	powered	1240	280x500	200	255	239	321	1490
PRK 80 TS - 18	3900	IV	915	650 - 1830	fixed	1240	280x500	200	255	239	321	1485
PRK 80 TB - 19	3600	IV	950	350 - 1900	powered	1240	280x500	200	255	239	338	1515
PRK 80 TS - 19	3600	IV	950	700 - 1900	fixed	1240	280x500	200	255	239	338	1510
PRK 80 TB - 20	3500	IV	1000	350 - 2000	powered	1240	280x500	200	255	239	355	1585
PRK 80 TS - 20	3500	IV	1000	700 - 2000	fixed	1240	280x500	200	255	239	355	1580
PRK 80 TB - 21	3300	IV	1050	450 - 2100	powered	1240	280x500	200	255	239	372	1680
PRK 80 TS - 21	3300	IV	1050	900 - 2100	fixed	1240	280x500	200	255	239	372	1675

- 2 hydraulic functions required
- includes hoses and couplings
- optional surfaces:
smooth rubber black upon request
rhombic rubber black or white upon request
smooth polyurethane orange upon request
hot steel sprayed upon request
- other surfaces upon request
- centre cover upon request

- 150 bar pressure at entry required, less pressure results in less clamping force
- powered short arm sequential movement as standard, positioning at 45°, chose on order (no add on price)
- 0° arm design upon request

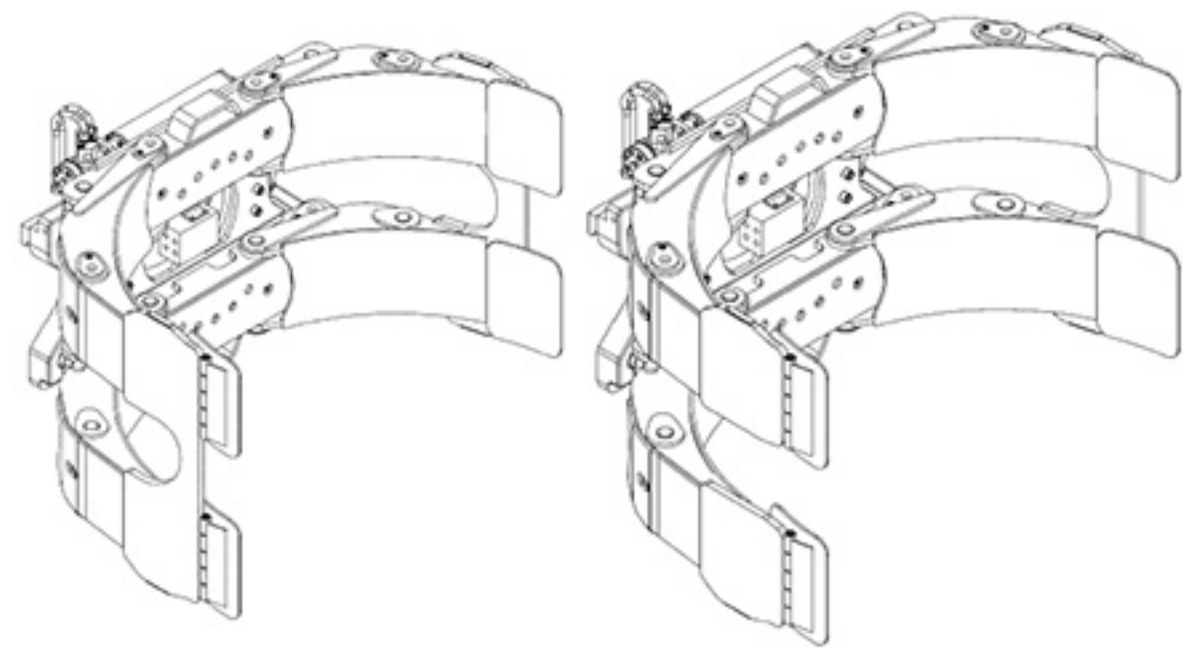
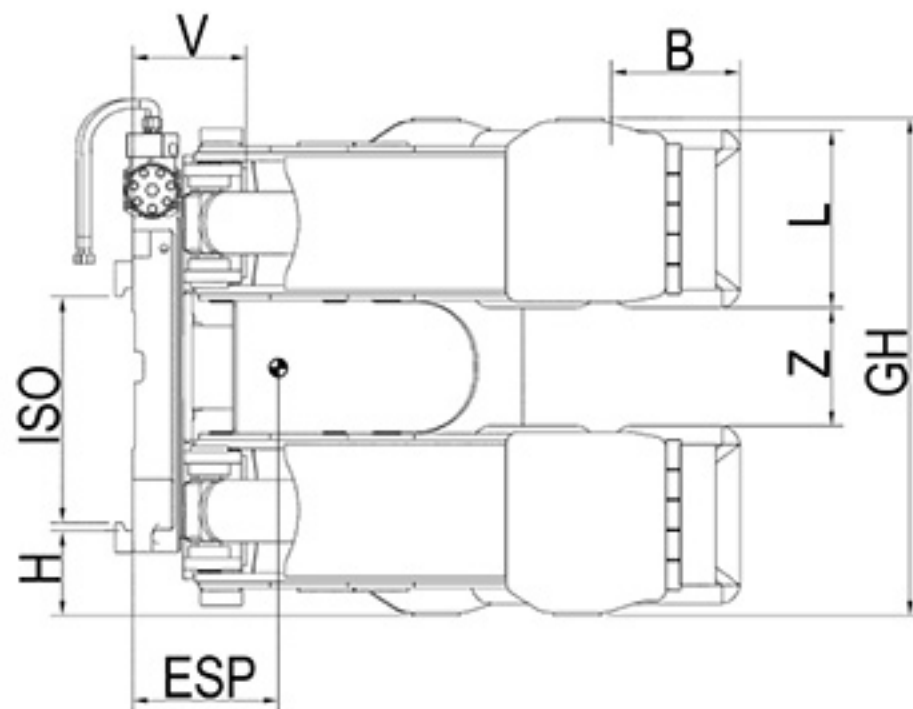
- one piece contact plate per arm upon request
- quick release hooks upon request (ISO IV)

DURWEN 
Forklift Attachments

More than 70 years experience

Paper roll clamp 360°

**PRK 100
ISO IV**



long arm unsplit

long arm split

type	capacity kg	ISO	LSP LC	roll diameter min - max mm	short arm	GH mm	contact plates B x L mm	Z mm	H mm	V LLC mm	ESP COG mm	weight kg
long arm unsplit												
PRK 100 B - 13	5600	IV	650	400 - 1300	powered	1240	280x500	200	250	255	246	1630
PRK 100 B - 14	5500	IV	725	450 - 1450	powered	1240	280x500	200	250	255	263	1640
PRK 100 B - 15	5300	IV	760	480 - 1520	powered	1240	280x500	200	250	255	280	1660
PRK 100 B - 16	5000	IV	800	550 - 1600	powered	1240	280x500	200	250	255	297	1680
PRK 100 B - 18	4600	IV	915	580 - 1830	powered	1240	280x500	200	250	255	311	1710
PRK 100 B - 19	4300	IV	950	600 - 1900	powered	1240	280x500	200	250	255	328	1730
PRK 100 B - 20	4000	IV	1000	600 - 2000	powered	1240	280x500	200	250	255	345	1750
PRK 100 B - 21	3800	IV	1050	650 - 2100	powered	1240	280x500	200	250	255	362	1780
long arm split												
PRK 100 TB - 13	5600	IV	650	400 - 1300	powered	1240	280x500	200	250	255	241	1620
PRK 100 TB - 14	5500	IV	725	450 - 1450	powered	1240	280x500	200	250	255	258	1640
PRK 100 TB - 15	5300	IV	760	480 - 1520	powered	1240	280x500	200	250	255	275	1650
PRK 100 TB - 16	5000	IV	800	550 - 1600	powered	1240	280x500	200	250	255	292	1670
PRK 100 TB - 18	4600	IV	915	580 - 1830	powered	1240	280x500	200	250	255	306	1700
PRK 100 TB - 19	4300	IV	950	600 - 1900	powered	1240	280x500	200	250	255	223	1720
PRK 100 TB - 20	4000	IV	1000	600 - 2000	powered	1240	280x500	200	250	255	340	1740
PRK 100 TB - 21	3800	IV	1050	650 - 2100	powered	1240	280x500	200	250	255	357	1770

- 2 hydraulic functions required
- includes hoses and couplings
- optional surfaces:
smooth rubber black upon request
rhombic rubber black or white upon request
smooth polyurethane orange upon request
hot steel sprayed upon request
- other surfaces upon request
- centre cover upon request
- 150 bar pressure at entry required, less pressure results in less clamping force
- powered short arm sequential movement as standard, positioning at 45°, chose on order (no add on price)
- 0° arm design upon request
- one piece contact plate per arm upon request
- quick release hooks upon request (ISO IV)
- fixed short arm upon request

image shows unit complete with optional centre cover



DURWEN
Forklift Attachments

More than 70 years experience